

LT-UP TUBUS-150 IP69K

Professional LED luminaire



Lighting system
 Optic: Opal diffusor
 Mid power SMD LEDs
 Lifetime: 50 000 h (L-70)
 Beam angle: 140°

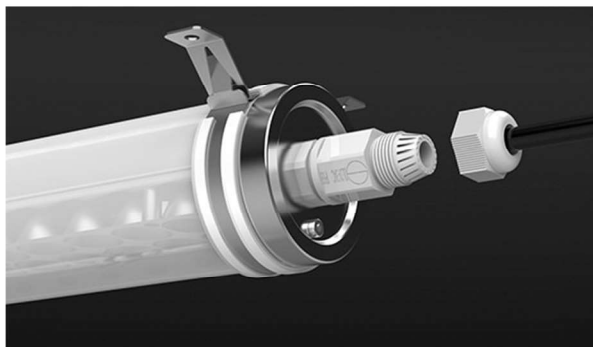
5 year warranty

Applications

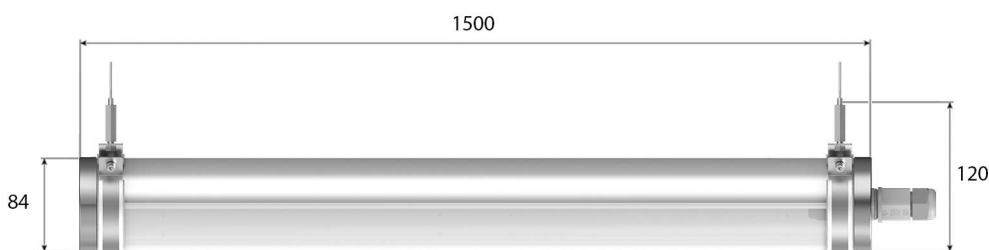
Outdoor places,
 parking area,
 food industry

Features

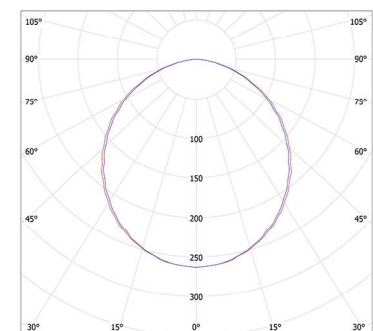
Passive cooling
 Meets CE safety standards
 Protection rating: IP69K



Ordering Code	Product Name	Light Output [lm]	CRI	System Power [W]	Color Temp. [K]	Power Supply [V]	Size [mm]	Weight [Kg]
301200	LT-UP TUBUS-150 840	5 300	>80	45	4 000	230 AC	1500	1.8



sizes



cd/klm: c0-180 c90-270