



Lighting system

Optic: Opal diffusor
Mid power SMD LEDs
Lifetime: 50 000 h (L-70)
Beam angle: 120°

Applications

Indoor places,
shopping centers
malls, hotels

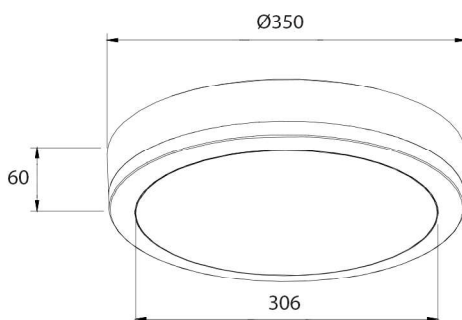


Features

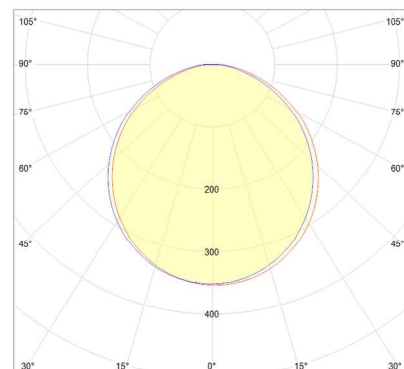
Injection-molded polymer body
Meets CE safety standards
Protection rating: IP65, IK10
Passive cooling

5 year guarantee

Ordering Code	Product Name	Light Output [lm]	CRI	System Power [W]	Color Temp. [K]	Power Supply [V]	Weight [Kg]
301 293	LT-UP ALAN96 350 840	2 500	>80	25	4 000	230 AC	1.38



sizes



cd/klm: c0-180 c90-270