

### Lighting system

Optic: Opal diffusor  
Mid power SMD LEDs  
Lifetime: 50 000 h (L-70)  
Beam angle: up 110°, down 60°

### Applications

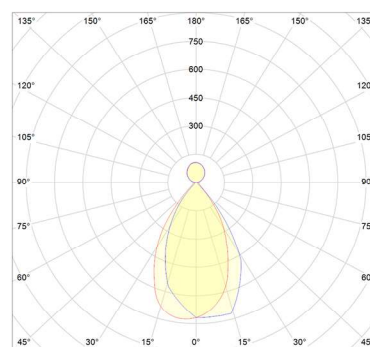
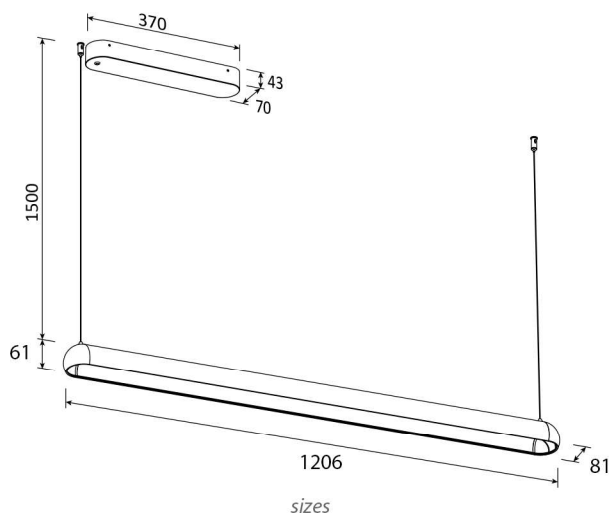
Inside places,  
Shopping malls,  
Offices

### Features

Passive cooling  
Meets CE safety standards  
Protection rating: IP20

5 year warranty

Ordering Code	Product Name	Light Output [lm]	CRI	System Power [W]	Color Temp. [K]	Power Supply [V]	Weight [Kg]
301298	LT-UP LUMIAIR60-120 840	4 400	>80	40	4 000	230 AC	2.3



cd/klm: c0-180 c90-270