



Lighting system

Optic: Opal diffusor
Mid power SMD LEDs
Lifetime: 50 000 h (L-70)

Applications

Indoor places, Industrial, sport halls

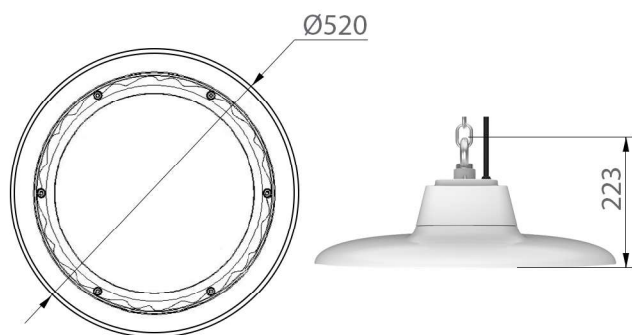
Features

Passive cooling
Meets CE safety standards
Die-cat alu body
Protection rating: IP65

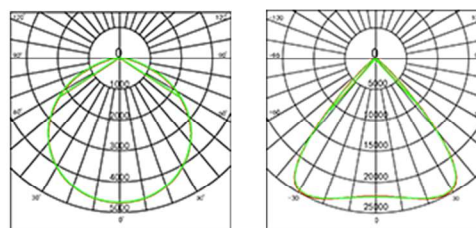
Options

Dimm: DALI, 1-10V, Zigbee
Daylight sensor, CRI >80
Color temp.: 5000K

Ordering Code	Product Name	Light Output [lm]	CRI	System Power [W]	Color Temp. [K]	Power Supply [V]	Weight [Kg]
301168	LT-AG-Bryair-100W-740	14 000	>70	100	4 000	230 AC	8,9



sizes



photometric diagrams