



COMPANY PROFILE

www.luminotech.hu





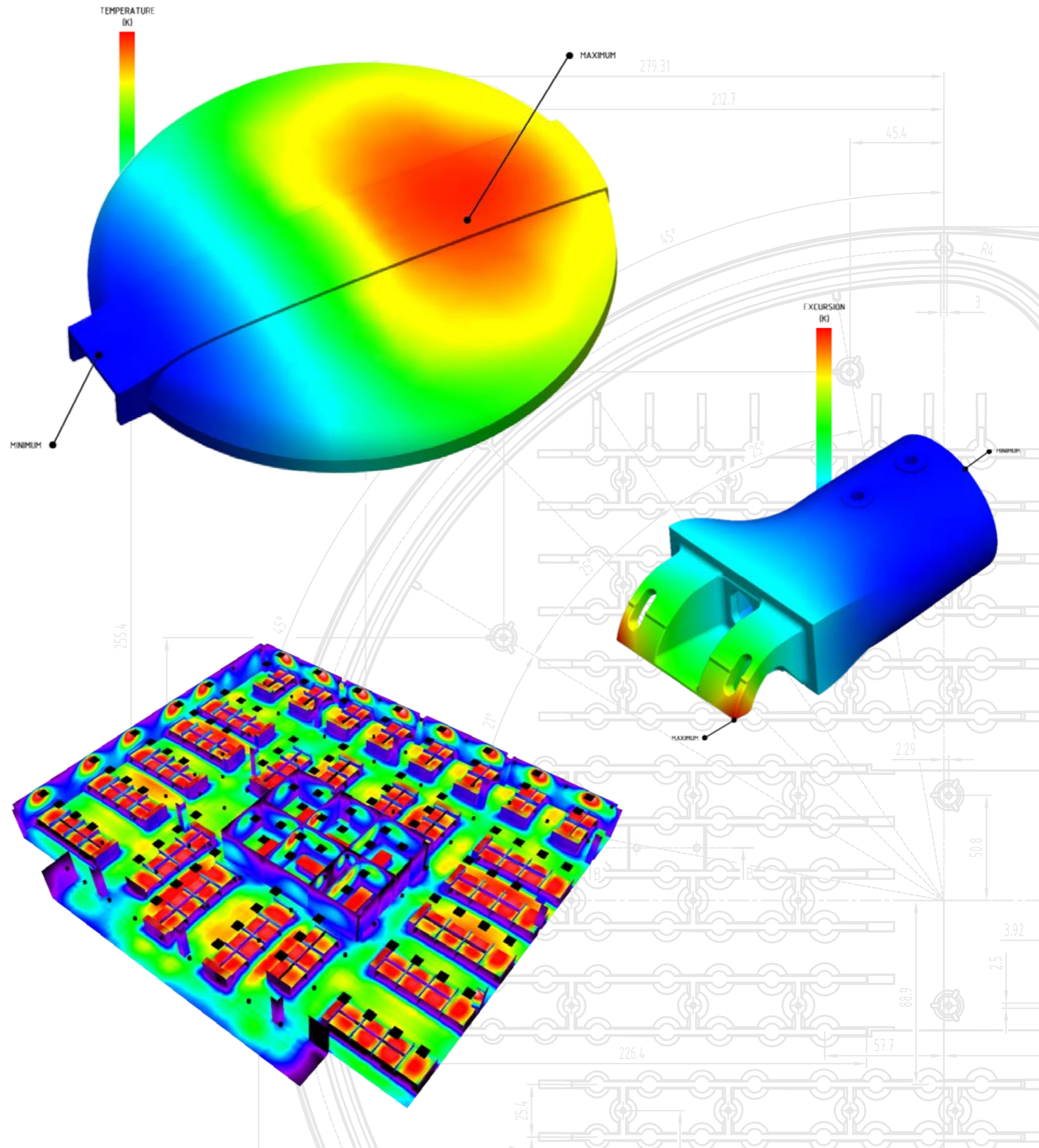
MISSION

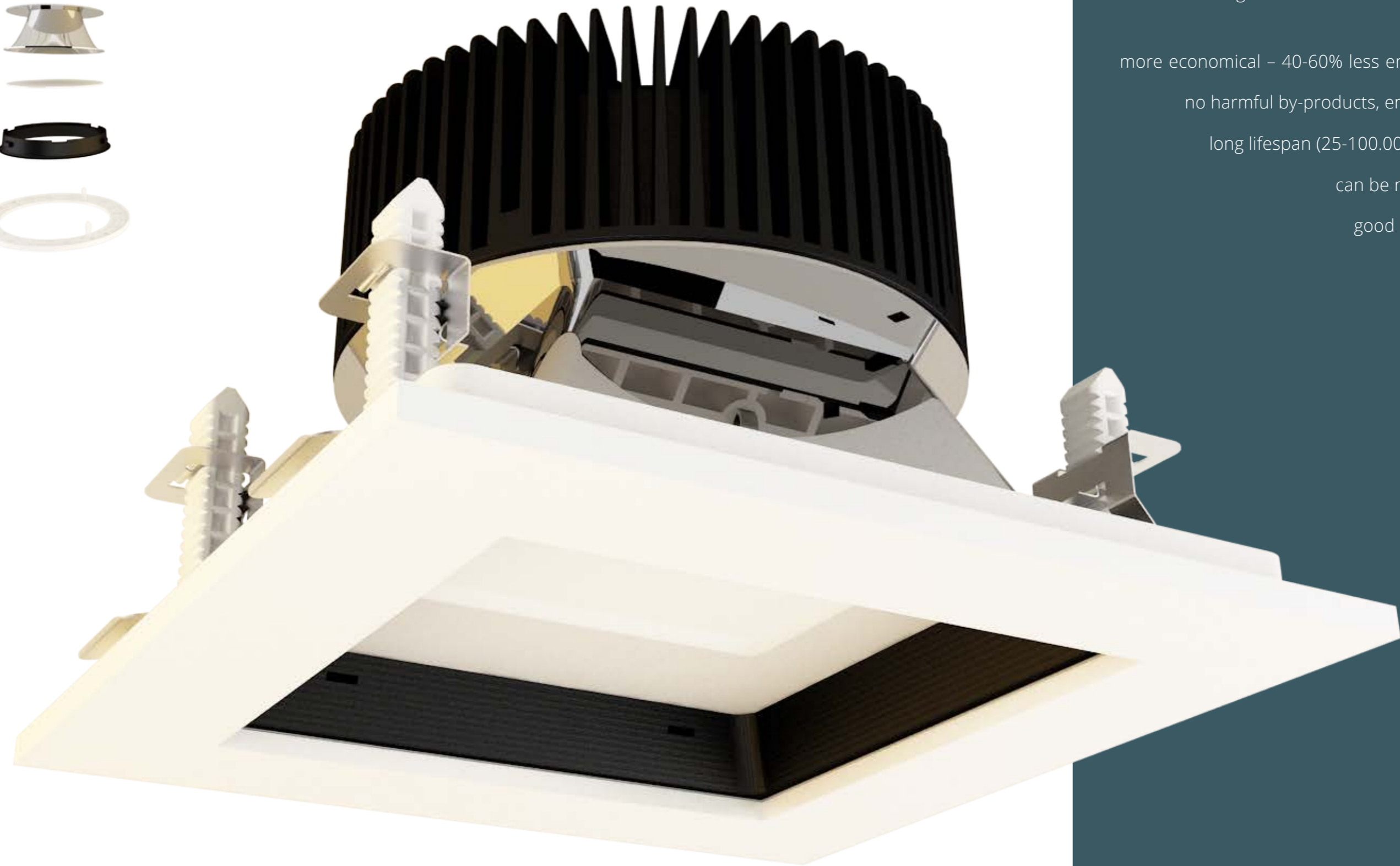
Lumino-Tech Kft. was established to offer its clients a superb lighting solution taking into consideration the modified demands of users, based on the innovations of its engineers, and with a revolutionary attitude in the field of lighting technology.

Our mission is to give to our buyers a comprehensive service pack including a complete lighting design, professional developments and production.

ACTIVITIES

The establishment of our company was preceded by a thorough market research, of which results made us reconsider the usage of LED lights: different fields of application need different types of LEDs. It is not enough to produce and sell LED bulbs, but complete systems should be created for an economical solution, leaving behind the traditional lighting structures and paying attention to the changing periods of light.





PRODUCT

LED lights offered by Lumino-Tech compared to conventional lights:

more economical – 40-60% less energy consumption

no harmful by-products, environment friendly

long lifespan (25-100.000 operating hours)

can be regulated uniformly

good physiological effect



MAGYAR
FORMATERVEZÉSI DÍJ
2015



London LED Lantern

The uniquely shallow lantern blends into its surroundings complementing any modern, historic or natural background. The London LED Lantern accentuates the lit environment without being obtrusive and using the most efficient and best performing components. The lantern is the result of great engineering and design development combining the most advanced technologies in lighting and production.





VISION

Lighting technology is about to go through a technical revolution, where economical lighting will take a crucial role. Traditional lights will gradually be replaced by LEDs and adjustability will gain preference. Lumino- Tech has a brand new attitude towards this change and uses the most up-to-date technologies in its developments, keeping in mind the important psychological and environmental aspects of lighting.



SERVICE PACK

DEVELOPMENT AND SALES OF SPARE PARTS

Lumino-Tech develops and distributes LED modules and coolants as components, using its results in the field of product development, and according to the claims of lighting companies. We produce aluminium coolants for Philips, Osram and GE LED modules. We design LED panels for linear lamps using Osram and CREE chips, and LED solutions for halogen lamps with light tubes as per request.



LIGHTING PROJECTS FROM A TO Z

Lumino-Tech provide you with the very best offer based on your lighting expectances and needs as follows:

1. Local survey
2. Technical planning phase
3. Offer
4. Testing (if requested).
5. Financing solutions (leasing, tenders).
6. Contract, execution.

SERIAL PRODUCTION / EXPORT

Based on our 3-year experience in product development, we established serial production for some of our product lines. (5-10 thousand pcs/month). These products have proved to be competitive in the international markets owing to their excellent technical characteristics and favourable prices. All are manufactured using spare parts with 3-5 years of guarantee of well-known producers (Philips, Osram).

Our assortment includes:

- downlights
- linear lamps for offices sinkable in ceilings
- outdoor industrial lights/reflectors
- assembly hall lights

Export markets to be penetrated:

- EU
- Near-East
- Russia



WHY US?

1. The most modern lighting innovations
2. Tailor-made solutions
3. Fast return
4. Client-oriented attitude
5. Versatile experience
6. Financing

CONTACT US

Lumino-Tech Világítástechnikai Kft.
Kunigunda útja 18. II/1.,
1037 Budapest, Hungary
+36 (1) 630-9230
info@lumino-tech.eu
www.lumino-tech.eu

REFERENCES



MCDONALD'S - Reastaurants



MKB BANK- Balatonfüred, Marina Port



MKB BANK - Budapest, Boráros square



SKÁLA ARRABONA MALL - Győr



MKB BANK - Budapest, Lőportár street



SZERENCSEJÁTÉK ZRT. - Budapest, Lottery



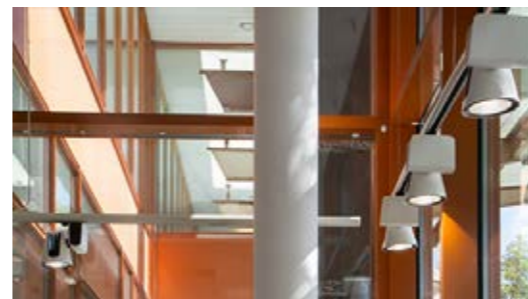
MKB BANK - Budapest, Váci street



MKB BANK - Budapest, Váci street



NÉPLIIGET BUS STATION - Budapest



NOTEBOOKSPECIALISTA - Budapest, Váci street



VAPIANO ÉTTERMEK - Budapest, MOM park



BUDAPEST BANK - Budapest, Nyugati square

OEM PARTNERS

HAVELLS SYLVANIA

PHILIPS



TRIDONIC

